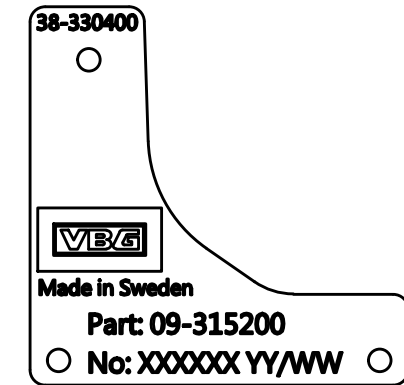
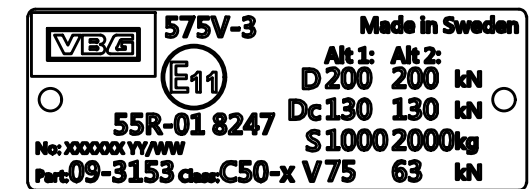


A, mechanism identification plate



B, identification plate

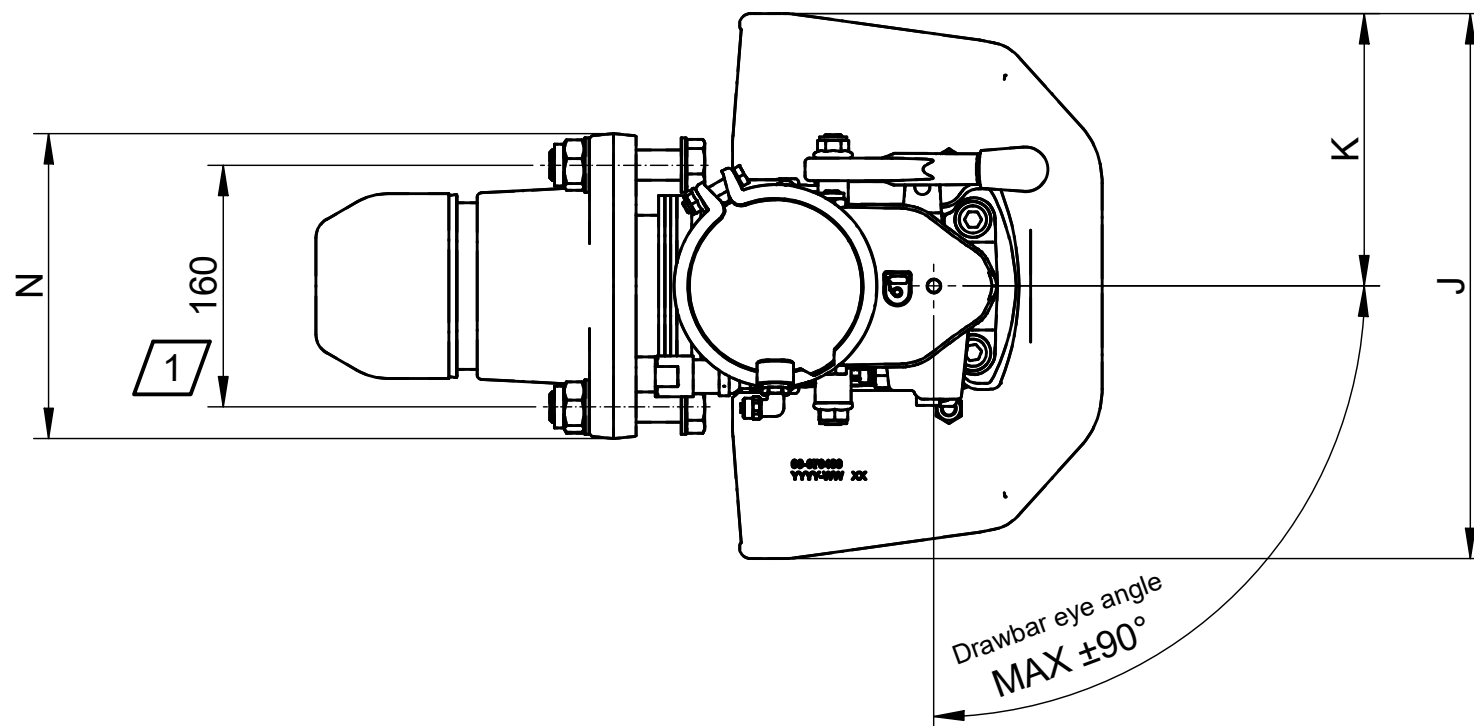


1 Mounting dimensions acc. to SS 550000-1 category 5 and ISO 3584 category 5-7

2 Coupling compatible with Ø50 drawbar eyes according to standard ISO 1102 and DIN 74053

Dimensions acc to standard SS 550000-1 Category 5

Dimension	Actual measure
M	139
N	202
P	211
Q	308
R	112
S	289
T	16-30
J	360
K	180
L3	193



Dimensions for information only. Tolerance ±10mm.



**VBG GROUP**

Description  
VBG 575V-3 AM S/S

Modified Date	Modified by	Modification No.	Issue
2020-10-27	HB	13001	a
3D Model No.			Engineer
09-315300			HB
Sheet Size	Scale	Projection	Drafting Date
A3	1:5	1st angle	2020-10-27
Stage	Drawing No.	Drafted by	
P	09-315300 (F) INFO	HB	

This drawing is the property of VBG Group AB and is protected in accordance with prevailing law. Changes must be made in CAD-program, this concerns both 2D & 3D.

Released