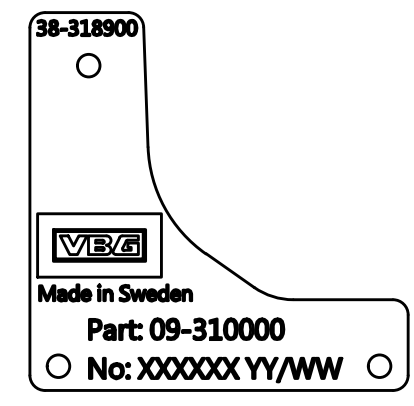
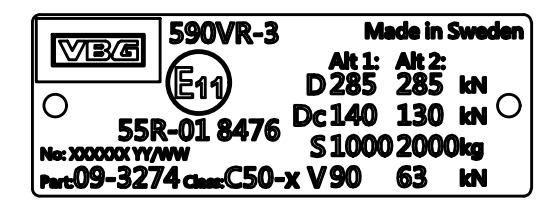


A, mechanism identification plate



B, identification plate



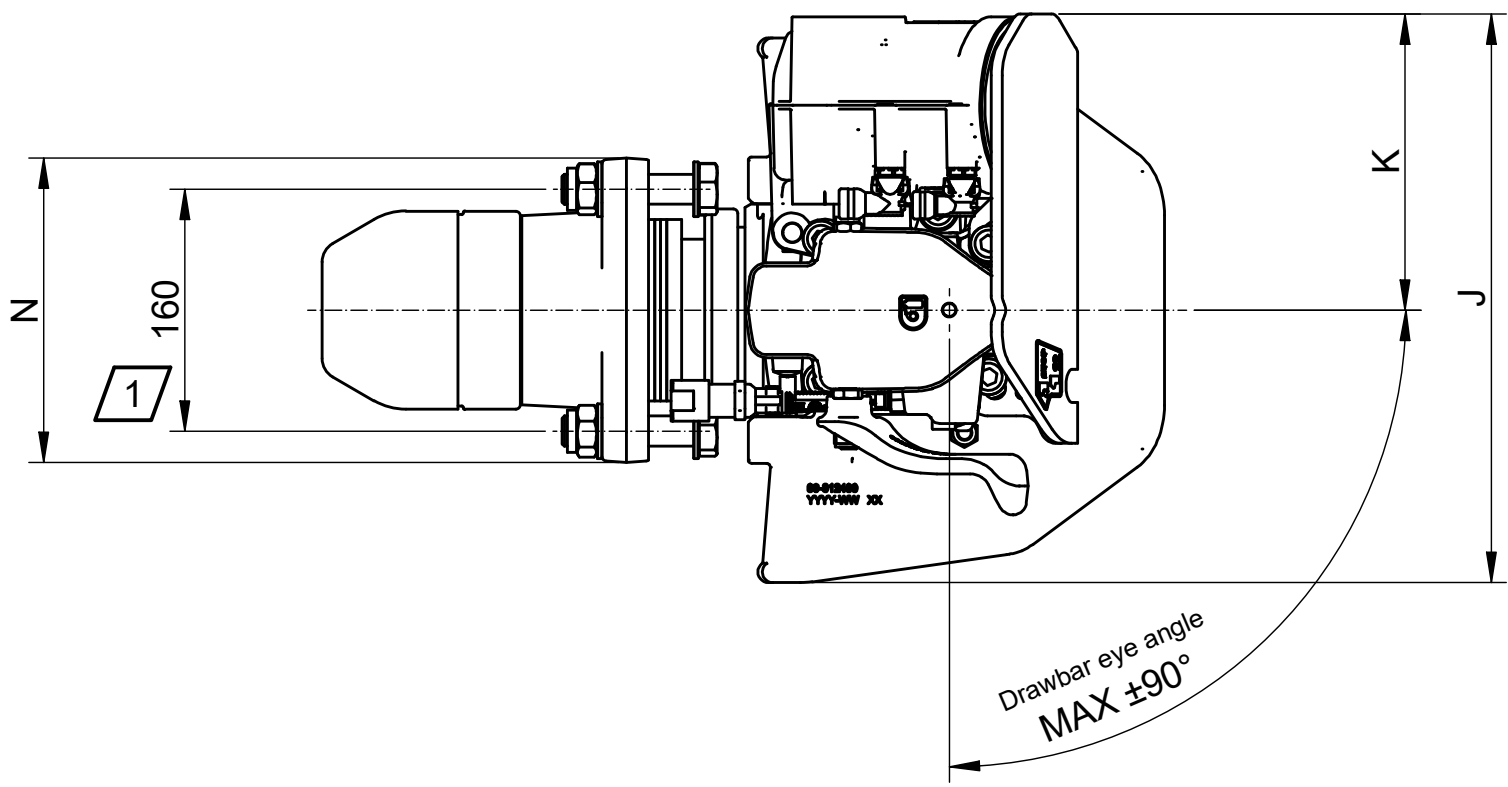
1 Mounting dimensions acc. to SS 550000-1 category 5 and ISO 3584 category 5-7

2 Coupling compatible with Ø50 drawbar eyes according to standard ISO 1102 and DIN 74053

Dimensions acc to standard SS 550000-1 category 5

Dimension	Actual measure
M	139
N	202
P	216
Q	310
R	112
S	268
T	16-30
J	376
K	196
L3	195

Dimensions for information only. Tolerance ±10mm.



**VBG GROUP**

Description  
VBG 590VR-3 PA L/S

Modified Date	Modified by	Modification No.	Issue
2020-11-26	HB	13001	a
3D Model No.			Engineer
09-327400			HB
Sheet Size	Scale	Projection	Drafting Date
A3	1:5	First Angle	2020-11-26
Stage	Drawing No.		
P	09-327400 (F) INFO		

This drawing is the property of VBG Group AB and is protected in accordance with prevailing law. Changes must be made in CAD-program, this concerns both 2D & 3D.