

A

B

C

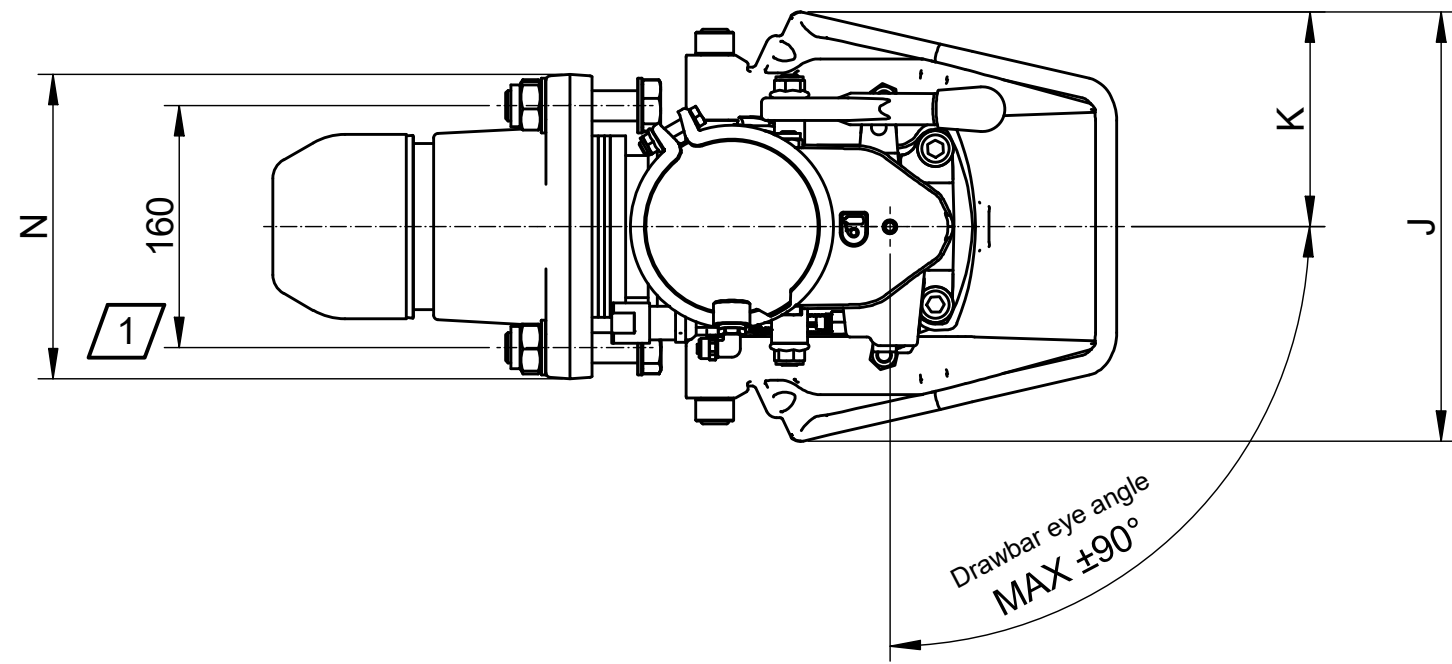
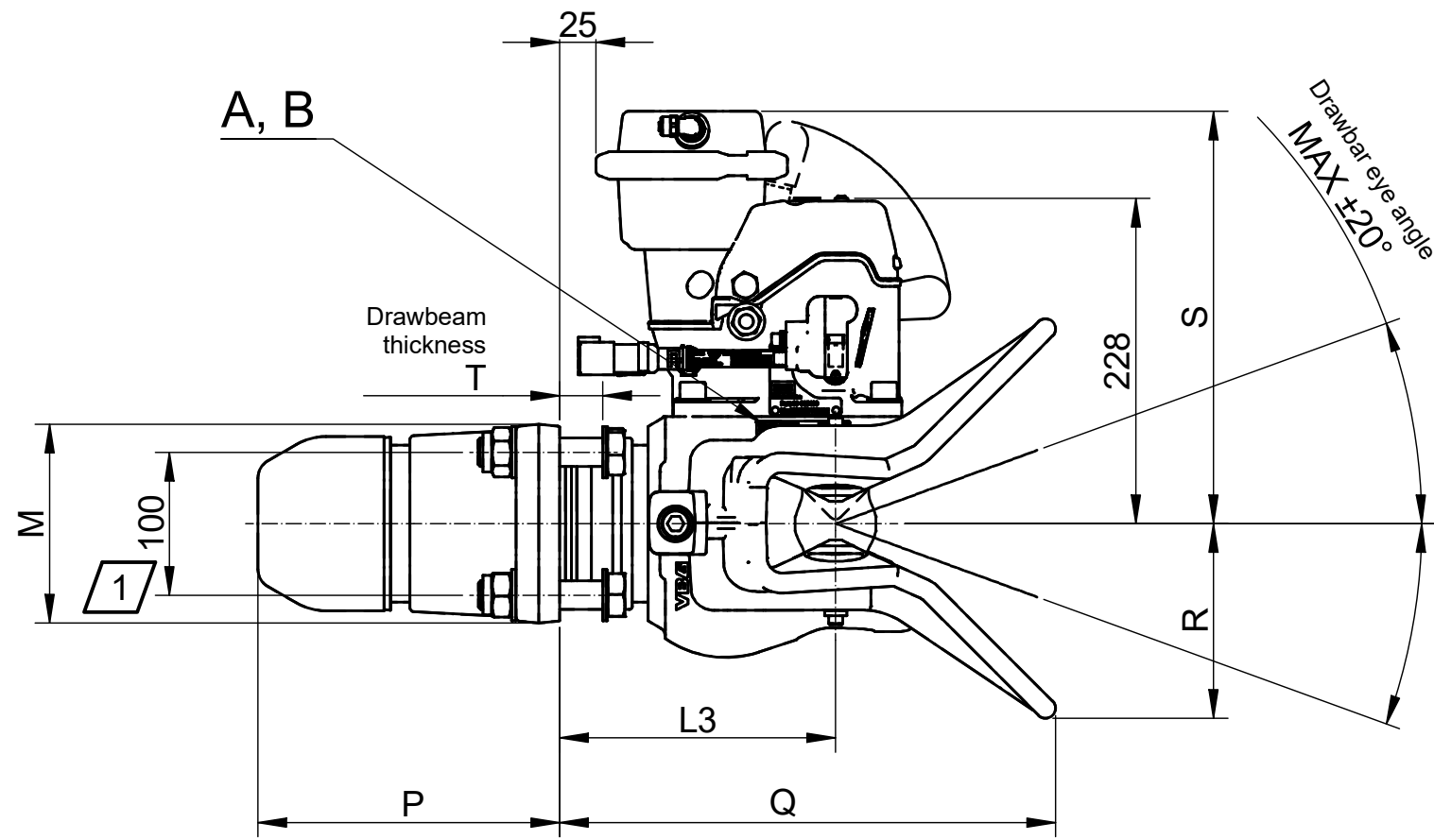
D

A

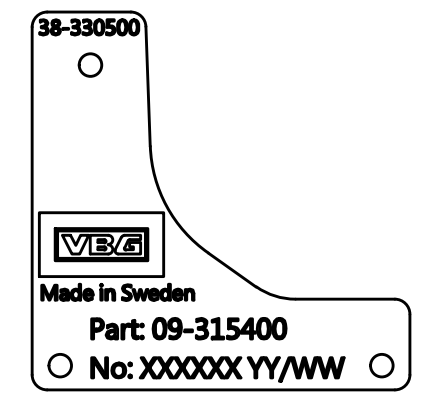
B

C

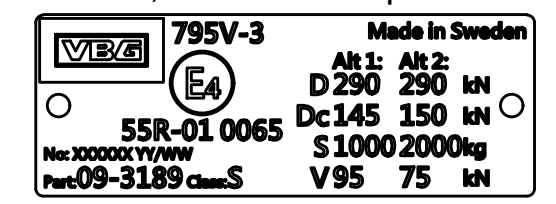
D



A, mechanism identification plate



B, identification plate



1 Mounting dimensions acc. to SS 550000-1 category 5 and ISO 3584 category 5-7

2 Coupling compatible with Ø57 drawbar eyes according to standard SS 550100-2

Dimensions acc to standard SS 550000-1 category 5 SS 550100-1 C57

Dimension	Actual measure
M	139
N	202
P	211
Q	347
R	136
S	289
T	16-30
J	284
K	142
L3	193

Measures for information only. Tolerance ±10mm.



VBG GROUP

Description
VBG 795V-3 AM L/L

Modified Date	Modified by	Modification No.	Issue
2020-10-27	HB	13001	a
3D Model No.			Engineer
09-318900			HB
Sheet Size	Scale	Projection	Drafting Date
A3	1:5	⊕	2020-10-27
Stage	Drawing No.		
P	09-318900 (F) INFO		

This drawing is the property of VBG Group AB and is protected in accordance with prevailing law. Changes must be made in CAD-program, this concerns both 2D & 3D.