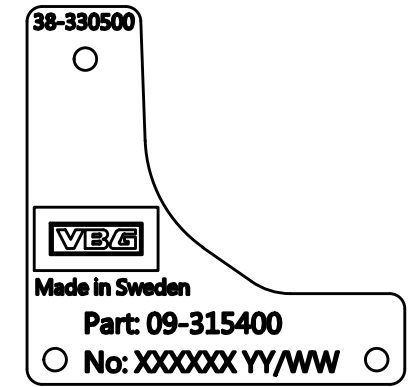
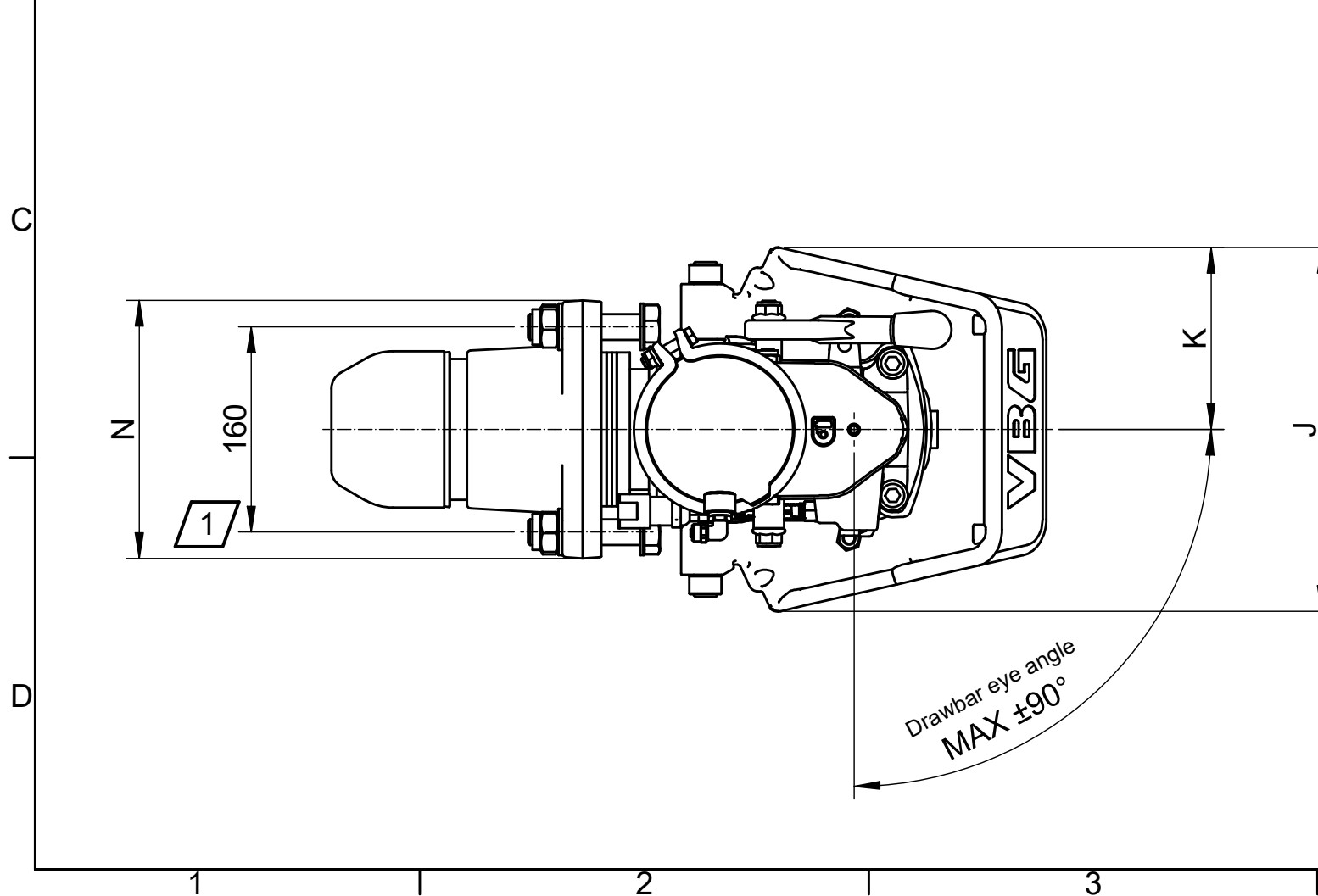
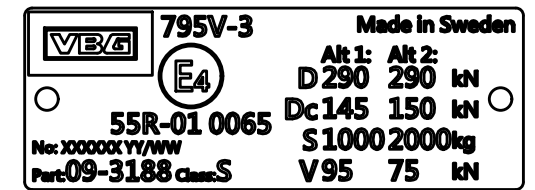


A, mechanism identification plate



B, identification plate



1 Mounting dimensions acc. to SS 550000-1 category 5 and ISO 3584 category 5-7

2 Coupling compatible with Ø57 drawbar eyes according to standard SS 550100-2

Dimensions acc to standard SS 550000-1 category 5 SS 550100-1 C57

Dimension	Actual measure
M	139
N	202
P	211
Q	349
R	136
S	289
T	16-30
J	284
K	142
L3	193

Measures for information only. Tolerance ±10mm.

**VBG**

**VBG GROUP**

Description VBG 795V-3 AM S/L	Modified Date 2020-10-27	Modified by HB	Modification No. 13001	Issue a
	3D Model No. 09-318800			Engineer HB
Sheet Size A3	Scale 1:5	Projection 	Drafting Date 2020-10-27	Drafted by HB
Stage P	Drawing No. 09-318800 (F) INFO			

This drawing is the property of VBG Group AB and is protected in accordance with prevailing law. Changes must be made in CAD-program, this concerns both 2D & 3D.